



	Max. vent size (mm)	Max. vent weight	Uw (W/m²K)*	Visible width vent-vent sect.
Reynaers CF 77	1200x3000	120kg	down to 1.2	144mm
ReynaersCF77-SL	1200x3000	120kg	down to 1.13	122mm

* Ug: 0.5 W/m²K
4-panel: 4000 x 2700 mm



The **Concept Folding 77** offers people the opportunity to optimize the utilization of their rooms, drawing the external environment into their homes. Next to the improved space utilization, this innovative system offers the advantage of lots of daylight coming in, as well as an aesthetical design. Next to the functional design, the **CF77** is supplemented with a Slim-Line variant, the **CF77-SL**, featuring a narrower visible width.

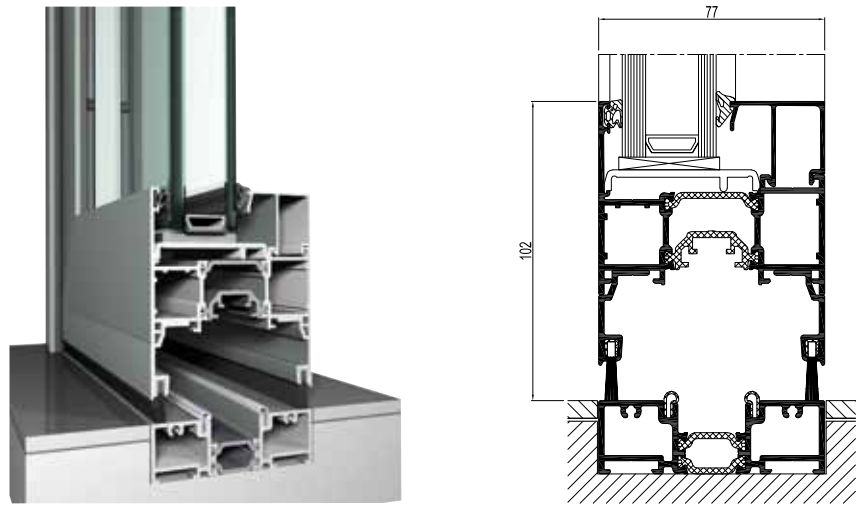
Both designs are available in four different door sill solutions:

1. High Performance, Double Weather Seal, Low Threshold and Flat Bottom Solution.
2. The High Performance option offers maximum performance in terms of air, wind and water resistance.

3. The Double Weather Seal solution combines good air, wind and water resistance with decreased threshold and is well suited for renovation projects.
4. The Low Threshold option offers a rise of only 18 mm and finally the Flat Bottom solution allows easy passage and maximum convenience for high traffic.

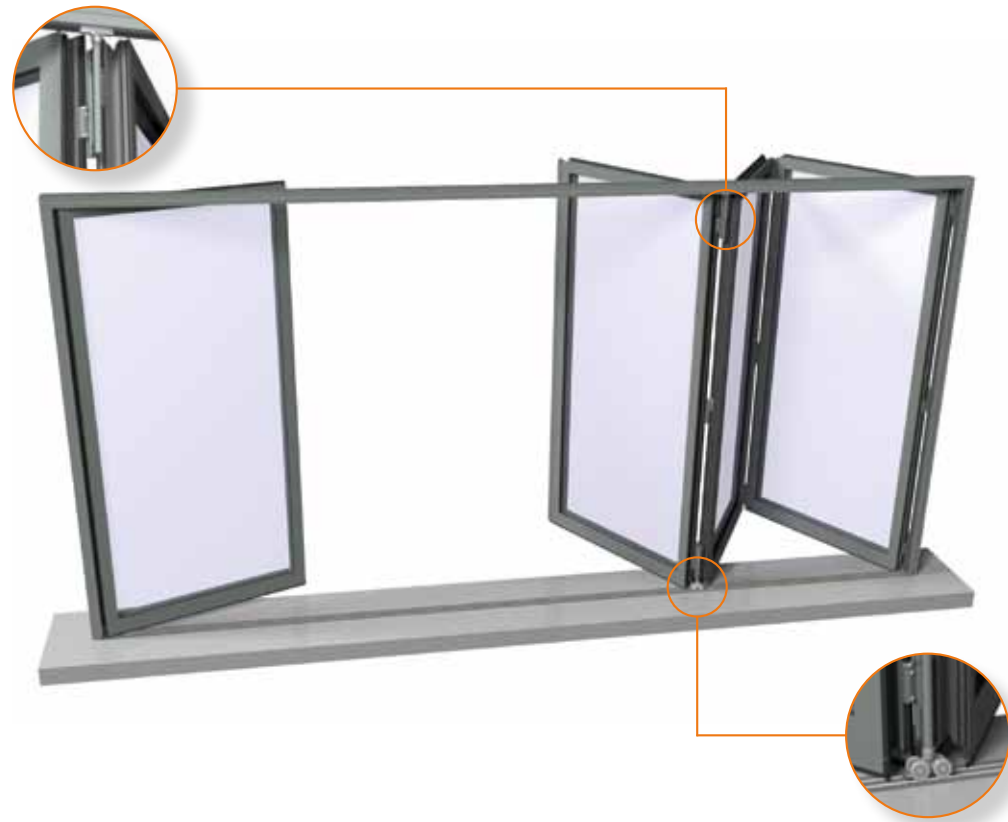
Another practical feature of the **CF77** is the optional door locking principle which allows to use the first leaf as an entrance door without affecting the folding capacity of the system.





Versatile design options

Available in a number of configurations using between 2 and 8 door leaves, you can choose a design where all doors stack to the same side, or a design where some open one way and some the other. Designs with a single traffic door enable you to slip quickly and easily out into the garden, while leaving the other doors locked in place.

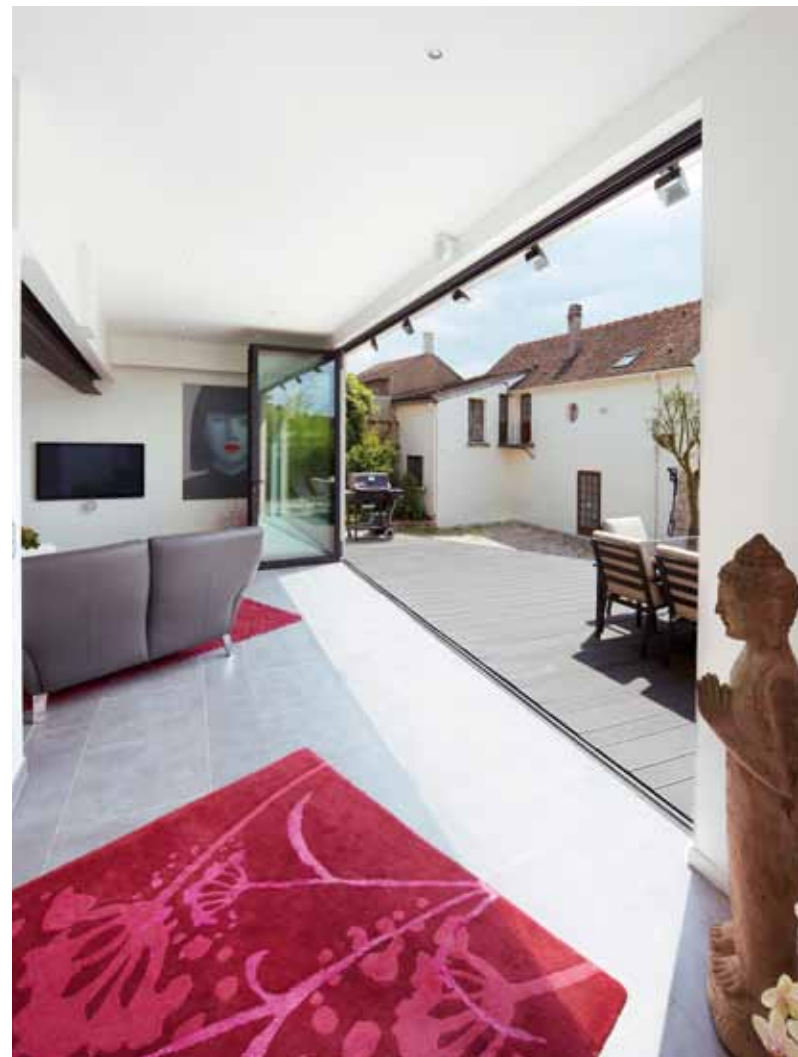


Innovative features and benefits

- Great thermal insulation (down to 2.25W/m²K)
- Glazing up to 63mm
- Security to British and European Standards
- Inward or outward opening
- Water resistance up to 600Pa
- 2 to 8 door leaves
- Industry-leading maximum sizes
- High-spec stainless steel rollers

	Max. vent size (mm)	Max. vent weight	U _w (W/m ² K)*	U _f (W/m ² K)	Visible width vent-vent sect.
Reynaers CF 77	1200x3000	120kg	down to 1.66	down to 2.25	144mm
Reynaers CF 77-SL	1200x3000	120kg	down to 1.64	down to 2.31	122mm
Reynaers CF 77-AP	1200x3000	120kg	down to 1.66	down to 2.25	144mm
Reynaers CF 77-SL/AP	1200x3000	120kg	down to 1.64	down to 2.31	122mm

* Ug: 1.1 W/m²K
4-panel: 4000 x 2700 mm

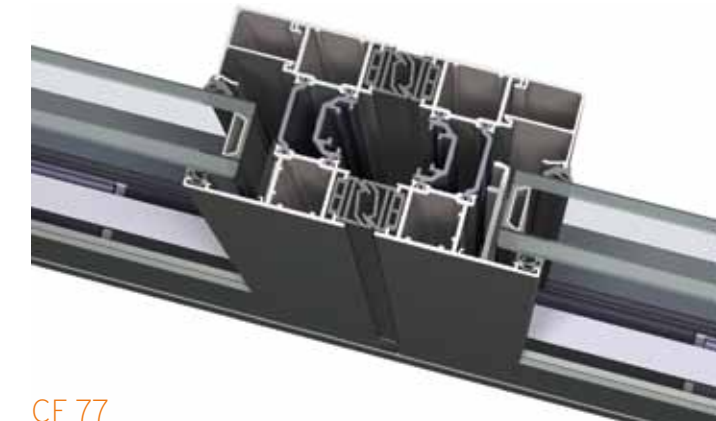


Specification options

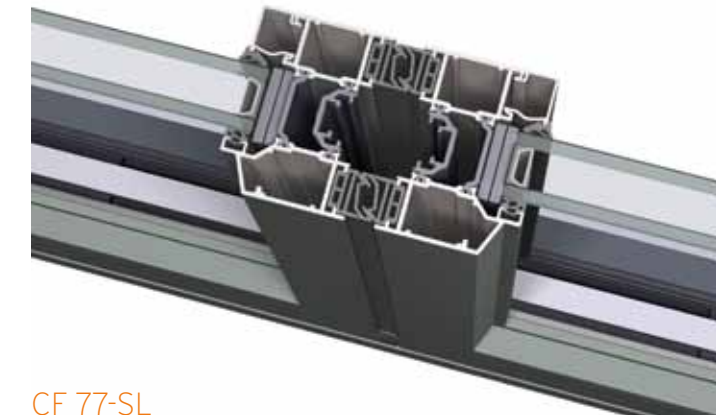
The CF77 can be specified with our standard profile or a slim-line variant, the CF77-SL, which features a narrower door leaf profile to maximise the glass area. Both are available in four different threshold solutions:

- High Performance
- Double Weather Seal
- Low Threshold
- Flat Bottom

Each threshold option gives a trade-off between weather performance and ease of passage. The High Performance option offers the best air, wind and water performance but has the highest threshold step. The Double Weather Seal solution combines good weather resistance with a lower threshold. The Low Threshold option can be set into the floor to meet the requirements of Building Regulations and the Flat Bottom solution allows easy passage with no step at all, but this is at the expense of weather-proofing.



CF 77



CF 77-SL

4 different threshold solutions offering different levels of performance:

	Flat Bottom	Low Threshold	Double Weather Seal	High Performance
Air-tightness	Not applicable	Class 2	Class 2	Up to Class 4
Wind load resistance	Not applicable	Class B2	Class B2	Up to Class B3
Security*	RC2	RC2	RC2	RC2
Water-tightness	Not applicable	Class 4A (150Pa)	Class 5A (200Pa)	Up to Class 9A (600Pa)

*The security classification is in accordance with EN 1627-1630.
Please refer to Reynaers' CE passport for all technical data including size limitations.